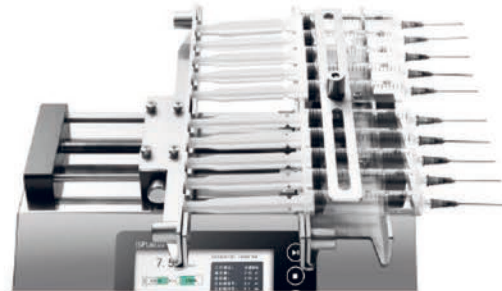


Intelligent syringe pump

ISPLab10

Flow Rate: 0.2nL–26.177mL/min



Introduction

The intelligent syringe pump with infusion/withdrawl mode, stainless steel body, and 4.3" color LCD screen is easy to operate. It can install and fix different types of injectors or syringes , and it is suitable for transferring micro flow rates with high precision (non-medical).

Features

- 1.Online flow rate modification function:** The pump is running, without stopping, adjust the flow rate at any time to meet complex application.
- 2.Colorful LCD display:**Friendly interface, 4.3 inch LCD display every technical parameter in real time.
- 3.Input syringe inner diameter function:**Can choose the injector from the list or input the injector inner diameter directly.
- 4.Two measurement mode for selection:** Infusion volume --- Infusion flow rate, Infusion volume --- Infusion time.
- 5.4 different working modes:** Infusion, withdrawal, infusion/withdrawal, withdrawal/infusion. The parameters of each working mode saving separately. Each working mode can be changed to continuous mode by setting repeat parameters.
- 6.Alarm function:** The pump will stall and give an alarm when the drive structure of the pump is blocked.

Interface Display

The interface display shows the following information:

- Real-time display flow rate:** 7.50 mL/min
- Display area for setting parameter:** 2018/01/01 10:00 AM
- Display area for dynamic working:** Working Mode: Withdrawal/infusion
- Display area for running parameter:**
 - Infusion Volume: 2.00 ml
 - Withdraw Volume: 2.00 ml
 - syringe size: 2.5 ml
 - syringe ID: 9.7 mm
 - Working State: withdrawal state
 - Set Time: 16.00 s
 - Remaining Time: 8.50 s
 - Repeat Times: 0000/0001
- Function setting area changeable by touching:** Setting, Calibration, MODE

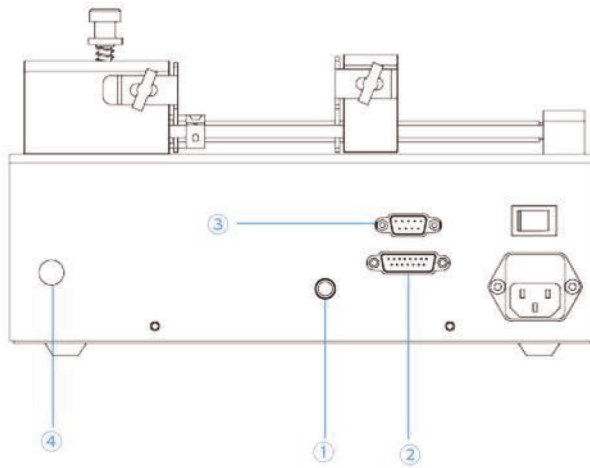
Technical Specifications

Plastic syringe	Inside Diameter(mm)	Flow Rate($\mu\text{L}/\text{min}$ -mL/min)	
		ISPLab01/ISPLab02	ISPLab04/ISPLab12
1mL	4.70	0.0174-2.29	0.0174-2.29
2.0mL	9.12	0.0653-8.623	0.0653-8.623
5mL	12.48	0.1223-16.147	0.1223-16.147
10mL	15.89	0.1983-26.177	0.1983-26.177
20mL	20.00	0.3142-41.469	————
30mL	22.50	0.3976-52.484	————
50mL	28.90	0.6560-86.588	————
100mL	32.00	0.8042-106.154	————
150mL	40.00	1.2566-165.871	————

Technical Specifications

Working mode	Infusion, withdrawal, infusion/withdrawal, withdrawal/infusion
Channel number	10
Syringe size	10 μL -10mL
Syringe selection	Syringe size and customized diameter
Linear speed range	1 $\mu\text{m}/\text{min}$ -132mm/min(Flow rate=Linear speed* syringe inner cut area)
Min. linear rate	1 $\mu\text{m}/\text{min}$
Linear force	$\leq 25\text{kgf}$
Max. stroke	140mm
Stoke resolution	0.078 $\mu\text{m}/\mu\text{step}$
Accuracy	Error $\leq \pm 0.3\%$ (Stoke $\geq 30\%$ of maximum stroke)
Back distance	0.01-10mm
Stored modes	Can save at most 60 common modes
Display	Industrial grade 4.3" LCD color display
Control method	Touch screen and Mechanical keypad
Power-off memory	Display the previous data parameter after power supply again
Output	OC gate signal output, used to indicate running status and direction
External control	Start/stop signal, withdrawal and infusion signal, active switch signal: (5-24V)
	Start/stop signal, passive switch signal, such as foot pedal switch
Communication interface	RS232/RS485, Modbus protocol(RTU mode)
Power supply	AC90-264V/65W
Condition temperature	0-40 $^{\circ}\text{C}$
Relative humidity	<80%
IP rate	IP31
Dimension(mm)	280*235*175
Weight	4.96kg

Syringe Pump External Control Schematic



- ① Foot pedal connector:
Connect with foot pedal switch
- ② 15 Pin connector:
External input and output
- ③ 9 pin connector:
RS232 and RS485
- ④ Ground pole

Dimension Drawing (Unit:mm)

